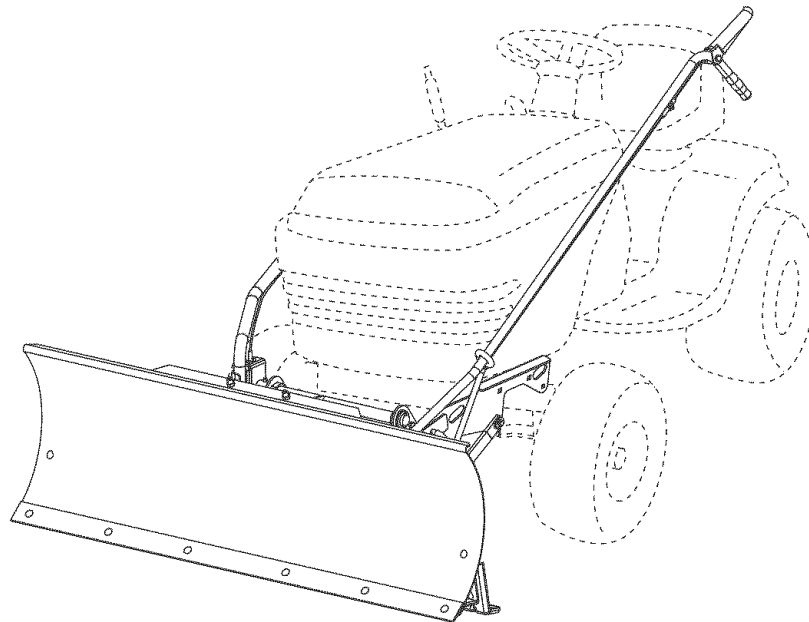


Operator's Manual



48" GT DOZER BLADE For Garden Tractors with 23" Tires

Model No. 486.24414



CAUTION: Before using this product, read this manual and follow all Safety Rules and Operating Instructions.

CAUTION: **DO NOT** use this Dozer Blade on Lawn Tractors or on Garden Tractors with less than 23-inch diameter tires.

IMPORTANT: For Missing Parts or Assembly Questions Call 866-576-8388

- Safety
- Assembly
- Operation
- Maintenance
- Parts

Sears, Roebuck and Co., Hoffman Estates, IL 60179 U.S.A.
www.sears.com/craftsman

TABLE OF CONTENTS

| | | | |
|--------------------------------|------|--------------------------------|------------|
| SAFETY RULES..... | 2 | MAINTENANCE | 16 |
| WARRANTY | 2 | TROUBLESHOOTING..... | 16 |
| CARTON CONTENTS..... | 3 | STORAGE | 17 |
| FULL SIZE HARDWARE CHART | 4-5 | ACCESSORIES..... | 17 |
| ASSEMBLY | 6-13 | REPAIR PARTS ILLUSTRATION..... | 18 |
| OPERATION..... | 14 | REPAIR PARTS LIST | 19 |
| SERVICE AND ADJUSTMENTS..... | 15 | PARTS ORDERING/SERVICE | BACK COVER |



SAFETY



Any power equipment can cause injury if operated improperly or if the user does not understand how to operate the equipment. Exercise caution at all times when using power equipment.

1. Read the tractor and dozer blade owners manuals and know how to operate your tractor before using the tractor with the dozer blade attachment.
2. Never operate the tractor and dozer blade without wearing proper clothing suited to weather conditions and operation of controls.
3. Never allow children to operate the tractor and dozer blade. Do not allow adults to operate without proper instructions.
4. Always begin with transmission in first (low) gear and gradually increase speed as required.



Look for this symbol to point out important safety precautions. It means — Attention!! Become alert!! Your safety is involved.

WARRANTY

ONE YEAR FULL WARRANTY

When operated and maintained according to the instructions supplied with it, if this Dozer Blade fails due to a defect in material or workmanship within one year from the date of purchase, call 1-800-4-MY-HOME® to arrange for free repair (or replacement if repair proves impossible).

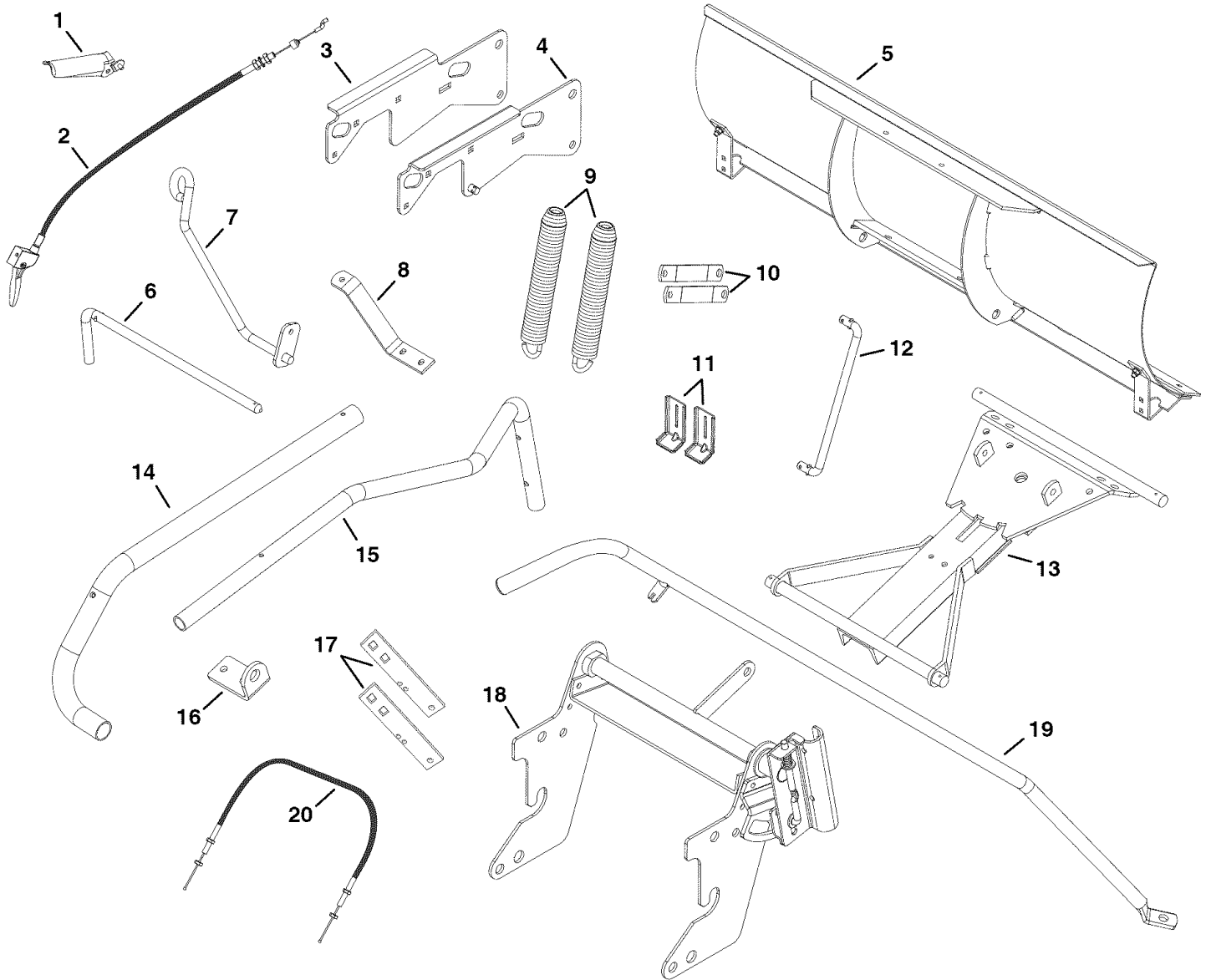
If this product is used for commercial or rental purposes, this warranty applies for only 90 days from the date of purchase.

This warranty gives you specific legal rights, and you may also have other rights which vary from state to state.

Sears, Roebuck and Co., D817WA, Hoffman Estates, IL 60179

| | |
|--|--|
| <p>The model number and serial numbers will be found on a decal attached to the dozer blade.</p> <p>You should record both the serial number and the date of purchase and keep in a safe place for future reference.</p> | <p>MODEL NUMBER: 486.24414</p> <p>SERIAL NUMBER: _____</p> <p>DATE OF PURCHASE: _____</p> |
|--|--|

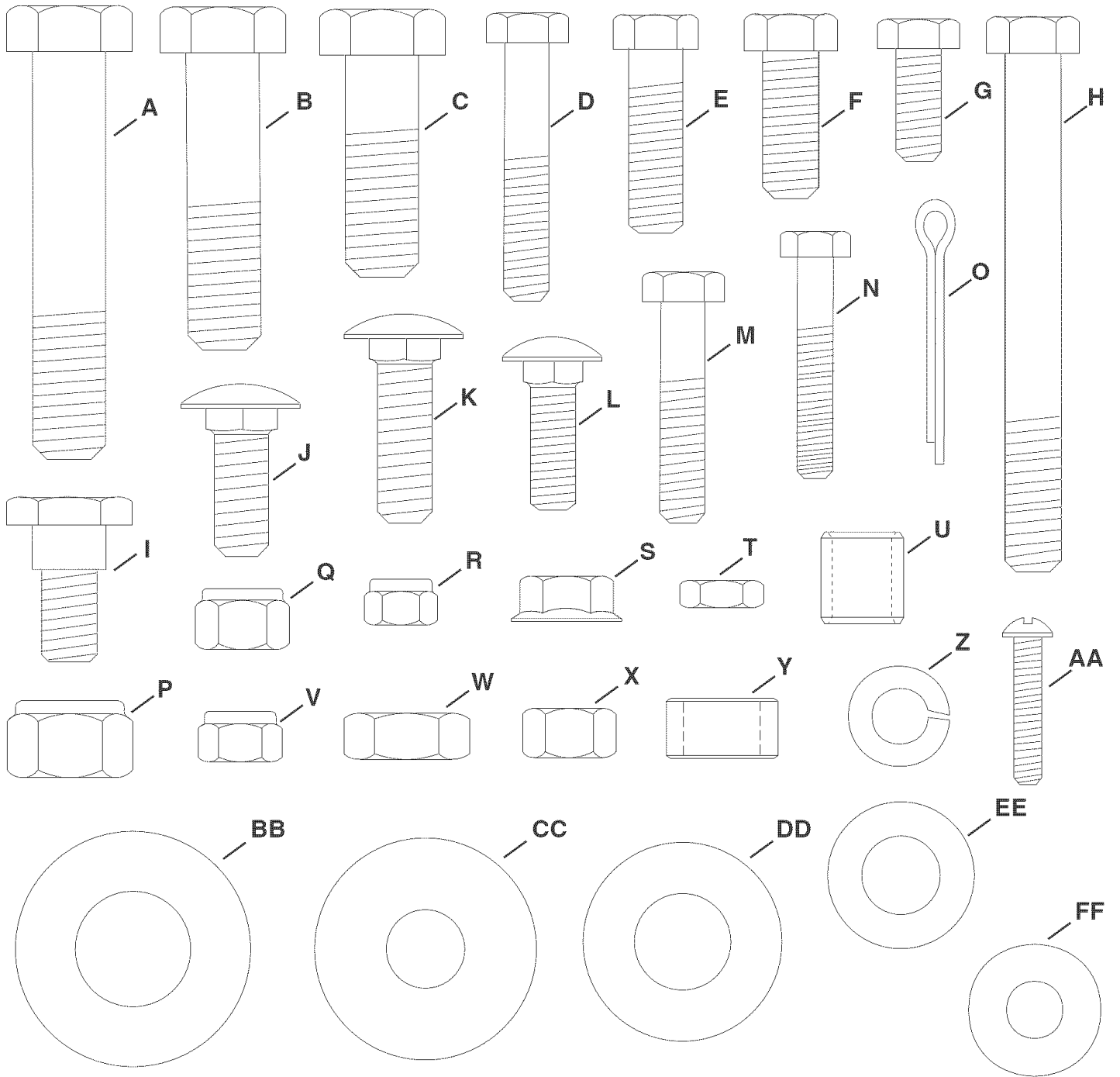
CARTON CONTENTS



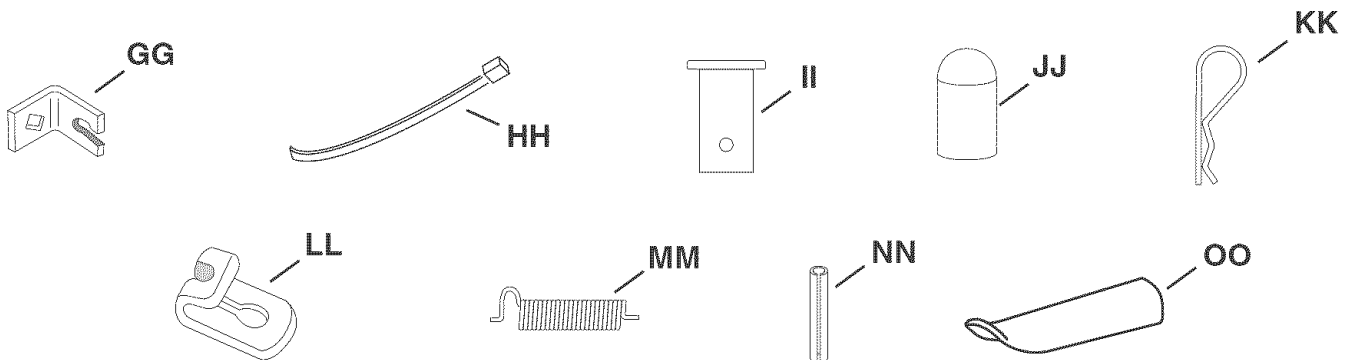
CARTON CONTENTS

- | | | | |
|-----------------------|------------------------|-----------------------|------------------------|
| 1. Grip Assembly | 6. Attachment Rod | 11. Skid Shoe (2) | 16. Lift Bracket |
| 2. Trigger with Cable | 7. Handle Guide | 12. Lift Rod | 17. Angle Lock Bar (2) |
| 3. Left Side Plate | 8. Blade Pivot Bracket | 13. Pivot Plate | 18. Frame Assembly |
| 4. Right Side Plate | 9. Trip Spring (2) | 14. Upper Lift Handle | 19. Handle Assembly |
| 5. Blade Assembly | 10. Lift Link (2) | 15. Lower Lift Handle | 20. Control Cable |

SHOWN FULL SIZE



NOT SHOWN FULL SIZE



CONTENTS OF PARTS PACKAGE

| REF. | QTY. | DESCRIPTION | REF. | QTY. | DESCRIPTION |
|------|------|------------------------------|------|------|----------------------|
| A | 2 | Hex Bolt, 1/2" x 2-3/4" | V | 11 | Nylock Nut, 5/16" |
| B | 2 | Hex Bolt, 1/2" x 2" | W | 4 | Hex Nut, 1/2" |
| C | 2 | Hex Bolt, 1/2" x 1-1/2" | X | 4 | Hex Nut, 3/8" |
| D | 2 | Hex Bolt, 5/16" x 1-3/4" | Y | 2 | Short Spacer |
| E | 2 | Hex Bolt, 3/8" x 1-1/4" | Z | 4 | Lock Washer, 3/8" |
| F | 4 | Hex Bolt, 3/8" x 1" | AA | 1 | Oval Screw, #10 x 1" |
| G | 2 | Hex Bolt, 5/16" x 3/4" | BB | 2 | Washer |
| H | 2 | Hex Bolt, 3/8" x 3-1/2" | CC | 6 | Washer, 1/2" Large |
| I | 1 | Shoulder Bolt | DD | 6 | Washer, 5/8" SAE |
| J | 6 | Carriage Bolt, 3/8" x 1" | EE | 4 | Washer, 1/2" |
| K | 2 | Carriage Bolt, 3/8" x 1-1/4" | FF | 4 | Washer, 5/16" |
| L | 6 | Carriage Bolt, 5/16" x 1" | GG | 1 | Cable Mount Bracket |
| M | 1 | Hex Bolt, 5/16" x 1-1/2" | HH | 2 | Nylon Tie |
| N | 2 | Hex Bolt, 1/4" x 1-1/2" | II | 2 | Clevis Pin |
| O | 4 | Cotter Pin | JJ | 2 | Plastic Cap |
| P | 4 | Nylock Nut, 1/2" | KK | 7 | Haircotter Pin |
| Q | 10 | Nylock Nut, 3/8" | LL | 2 | Cable End Fitting |
| R | 3 | Nylock Nut, 1/4" | MM | 1 | Extension Spring |
| S | 1 | Whizlock Hex Nut, 3/8" | NN | 1 | Spring Pin |
| T | 2 | Hex Jam Nut, 5/16" | OO | 1 | Plastic Grip |
| U | 1 | Long Spacer | | | |

ASSEMBLY

TOOLS REQUIRED FOR ASSEMBLY

- (1) 7/16" Wrench
- (1) 1/2" Wrench
- (1) 9/16" Wrench
- (1) 3/4" Wrench
- (1) Adjustable Wrench
- (1) Phillips Screwdriver
- (1) Hammer

- Remove all parts and hardware packages from the carton. Lay out parts and hardware and identify using the illustrations on pages 3 and 4.

NOTE: Not all of the supplied parts and hardware will be needed for one particular tractor. Unneeded items may be discarded after assembly has been completed.

NOTE: Right hand (RH) and left hand (LH) are determined from the operator's position while seated on the tractor.



CAUTION: Do not begin assembling until the tractor engine, muffler and exhaust deflector have been allowed to cool off.

STEP 1: (SEE FIGURE 1)

- Look under the front of your tractor. If there is a single mower deck suspension bracket located underneath the middle of the front axle, continue on to step 2. If your tractor does not have a mower deck suspension bracket underneath the middle of the front axle, skip to step 5 on page 7 for tractors with dual suspension brackets.

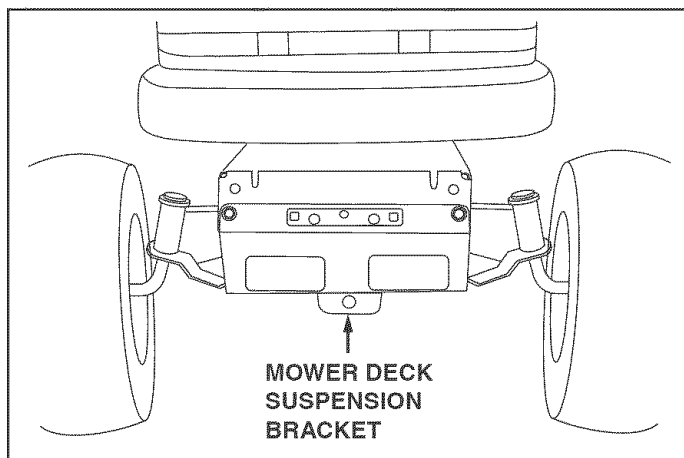


FIGURE 1

INSTRUCTIONS FOR TRACTORS WITH SINGLE FRONT DECK SUSPENSION BRACKET

STEP 2: (SEE FIGURE 2)

- Remove the tractor hood. Refer to your tractor owners manual for instructions on how to properly remove the hood.
- Remove the browning shield from the front of the tractor as shown. Hold onto the shield as you remove the second bolt to prevent it from falling.

NOTE: Reinstall the browning shield before using your tractor.

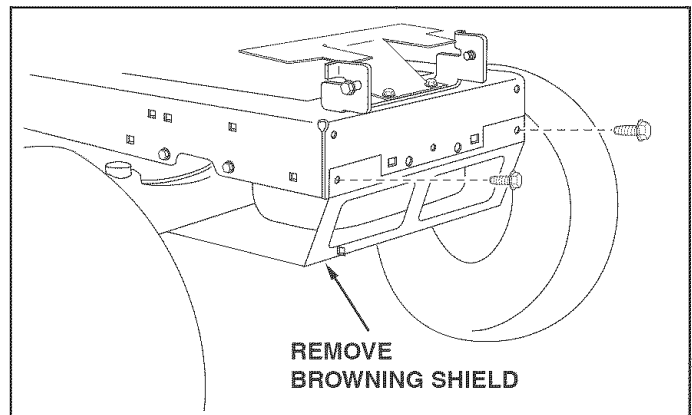


FIGURE 2

STEP 3: (SEE FIGURE 3)

- Fasten the R.H. side plate (bend facing out) to the front three holes indicated in the tractor frame. Use three 3/8" x 1" carriage bolts (J) and three 3/8" nylock nuts (Q). Fasten the rear of the side plate to the frame using a 5/16" x 1" carriage bolt (L) and a 5/16" nylock nut (V). If there is an engine mounting plate (shown with dotted lines) that prevents the side plate from resting flat against the tractor frame, use three large 1/2" washers (CC) as shims between the side plate and the frame. Tighten all bolts. Repeat for the L.H. side plate.
- Reinstall the browning shield removed in figure 2.

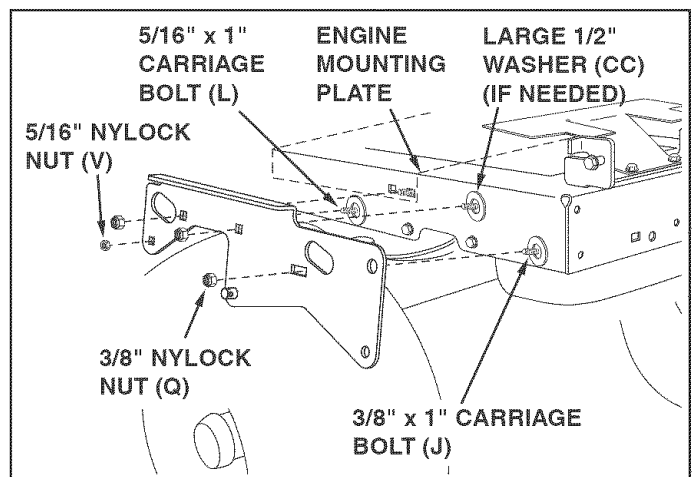


FIGURE 3

STEP 4: (SEE FIGURE 4)

- Place a 1/2" washer (EE) and then a short spacer (Y) onto a 1/2" x 1-1/2" hex bolt (C). Install the bolt in the bottom hole at the front of the R.H. side plate and secure it with a 1/2" nylock nut (P). Repeat for the L.H. side plate.
- **Skip to step 8** on page 8.

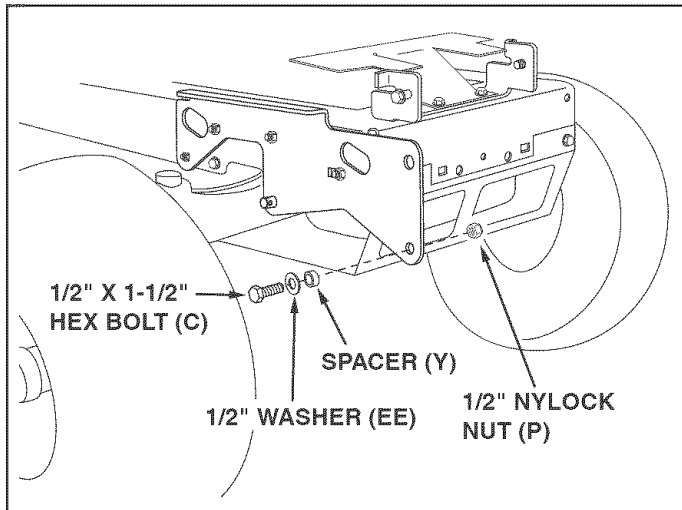


FIGURE 4

STEP 6: (SEE FIGURE 6)

- Fasten the R.H. side plate (bend facing out) to the two holes indicated in the tractor frame. Use two 3/8" x 1" hex bolts (F) and 3/8" lock washers (Z). If the bolts insert loosely into the tractor frame, use two 3/8" nylock nuts (Q) on the inside of the frame. Repeat for the L.H. side.

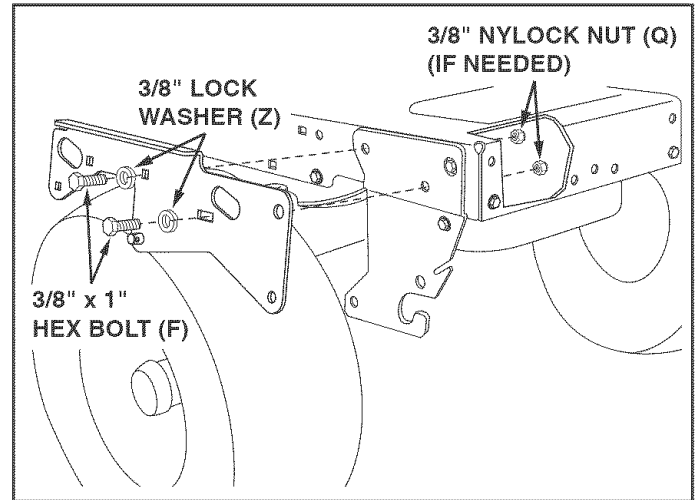


FIGURE 6

INSTRUCTIONS FOR TRACTORS WITH DUAL FRONT DECK SUSPENSION BRACKETS

STEP 5: (SEE FIGURE 5)

- Remove bolts from holes shown in illustration if they are present.

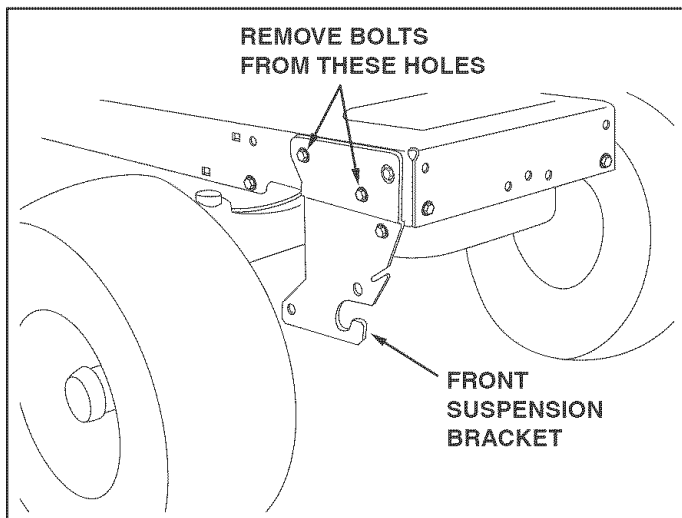


FIGURE 5

STEP 7: (SEE FIGURE 7)

- Place a 1/2" washer (EE) and then a short spacer (Y) onto a 1/2" x 1-1/2" hex bolt (C). Install the bolt in the bottom hole at the front of the R.H. side plate and secure it with a 1/2" nylock nut (P). Repeat for the L.H. side plate.
- **Go to step 8** on page 8.

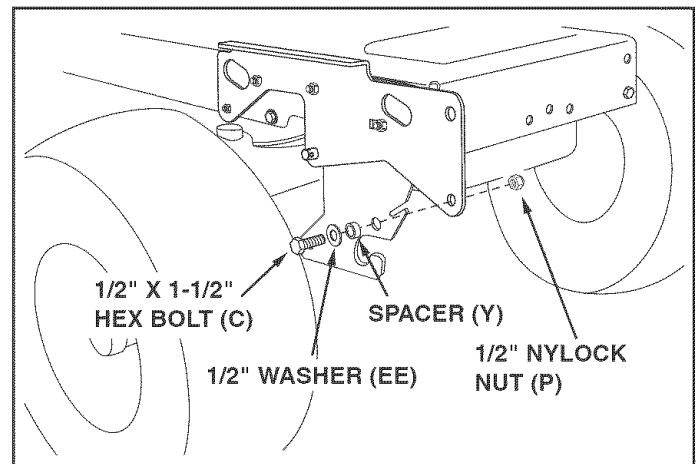


FIGURE 7

INSTRUCTIONS FOR ALL TRACTORS

STEP 8: (SEE FIGURE 8)

- Install a 1/2" x 2" hex bolt (B) and two 1/2" hex nuts (W) in the outer hole in each side of the pivot plate. Temporarily adjust the hex nuts so that both bolt heads extend about an inch and a half above the pivot plate.

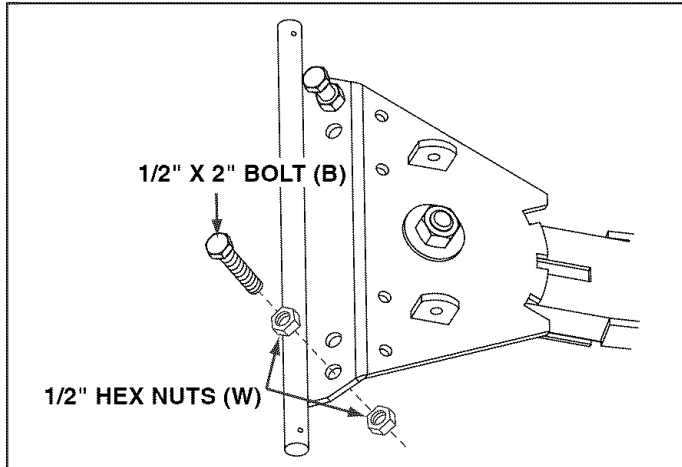


FIGURE 8

STEP 9: (SEE FIGURE 9)

- Assemble the round hook end of the angle lock spring into the hole in the washer as shown.

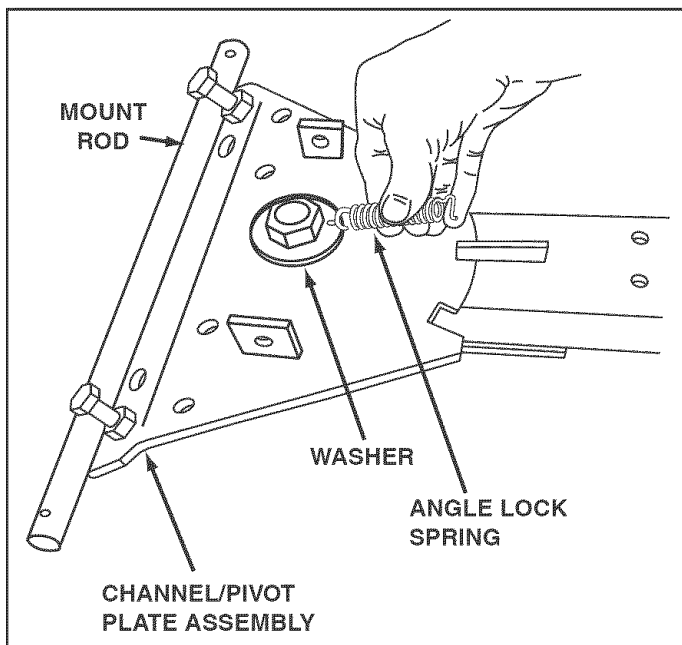


FIGURE 9

STEP 10: (SEE FIGURE 10 and 11)

- Assemble the two angle lock bars together using a 3/8" x 1-1/4" carriage bolt (E) and a 3/8" nylock nut (Q) in the top square holes. **Do not tighten.**
- Assemble the straight hook end of the angle lock spring into the small holes in the angle lock bars. Insert the lock bars down into the lock bar slot in the channel pivot plate assembly.

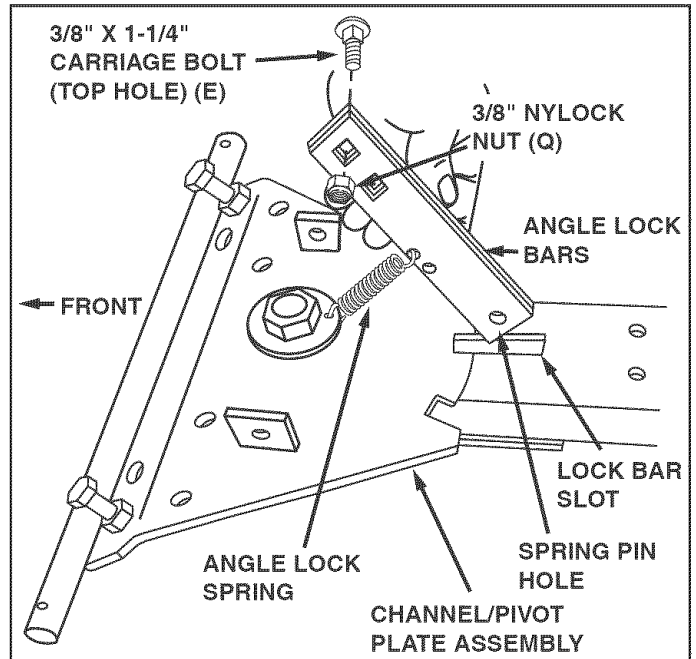


FIGURE 10

- Align the angle lock bars with the welded bracket on the bottom of the channel. Use a hammer to drive the spring pin (NN) through the angle lock bars and into the slot in the welded bracket.
- **Tighten** the nylock nut on the carriage bolt.

NOTE: The angle lock bars should pivot freely. When they are pulled all the way back the pivot plate assembly should be unlocked and free to pivot to the right or left notches.

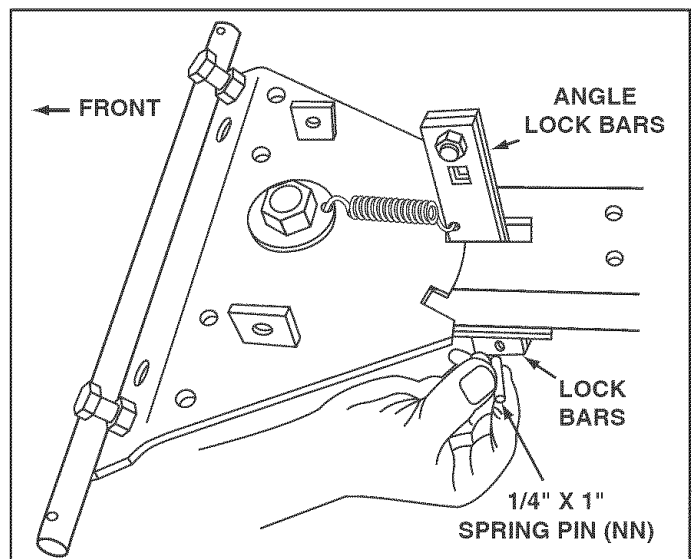


FIGURE 11

STEP 11: (SEE FIGURE 12)

- Assemble a 3/8" x 1-1/4" carriage bolt (E) through the cable mount bracket (GG) and then mount it from the left side to the square holes in the angle lock bars. Secure the bracket at the angle shown in figure 14 with a 3/8" nylock nut (Q).

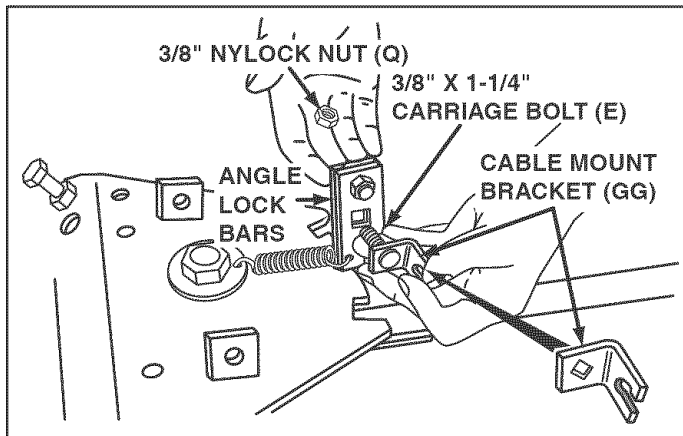


FIGURE 12

STEP 12: (SEE FIGURE 13)

- Select the control cable with two threaded ends. Select the threaded end that has no rubber cap or nuts and assemble a 5/16" hex jam nut (T) approximately 3/4" onto the threads. Insert the threaded end of the cable through the round hole in the cable mount bracket (GG) and secure it with another 5/16" hex jam nut (T). **Tighten** the second nut while keeping the first nut in place.
- Assemble the ball end of the cable wire up through the hole in a cable end fitting (LL) and then slide it back inside the curled edge of the fitting.

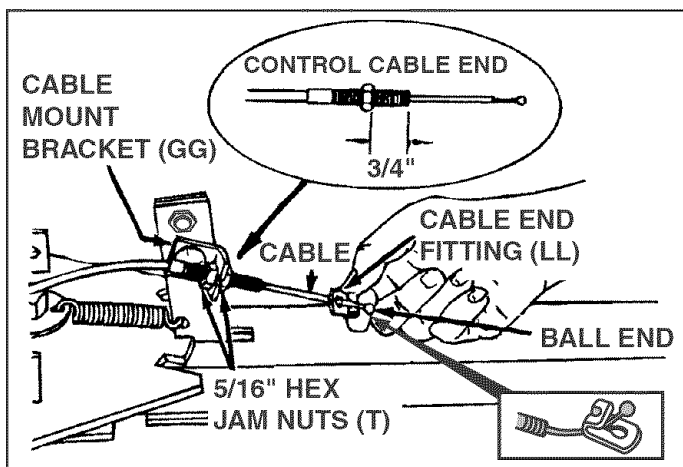


FIGURE 13

STEP 13: (SEE FIGURE 14)

- Attach the cable end fitting (LL) and the long spacer (U) to the left hand hole in the channel and lift bracket using a 1/4" x 1-1/2" hex bolt (N) and 1/4" nylock nut (R). **Tighten**, keeping the cable end fitting aligned with the threaded end of the cable.

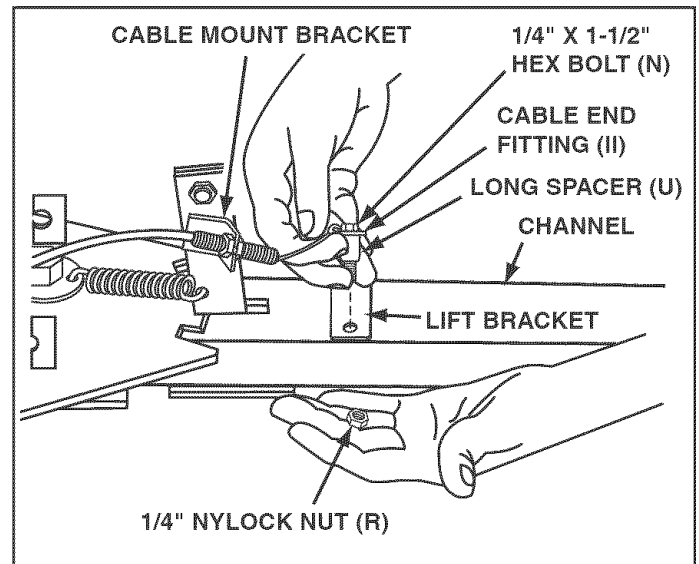


FIGURE 14

STEP 14: (SEE FIGURE 15)

- Attach the lift bracket to the right hand hole in the channel, next to the long spacer. Use a 5/16" x 3/4" hex bolt (G) and 5/16" nylock nut (V).
- Attach the frame assembly to the channel assembly. Fit one side of the frame assembly onto the 3/4" rod of the channel and then fit the other side onto the rod. Secure each side with a 3/4" washer (BB) and a 1/8" x 1-1/4" cotter pin (O).

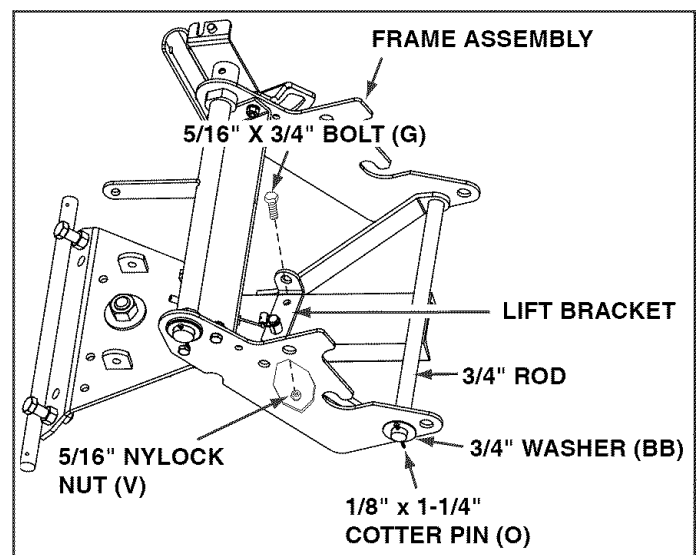


FIGURE 15

STEP 15: (SEE FIGURE 16)

- Attach the ends of the lift rod to the lift bracket on the channel and the welded arm on the frame assembly. Use two 1/2" washers (EE) and 1/8" x 1-1/4" cotter pins (O).

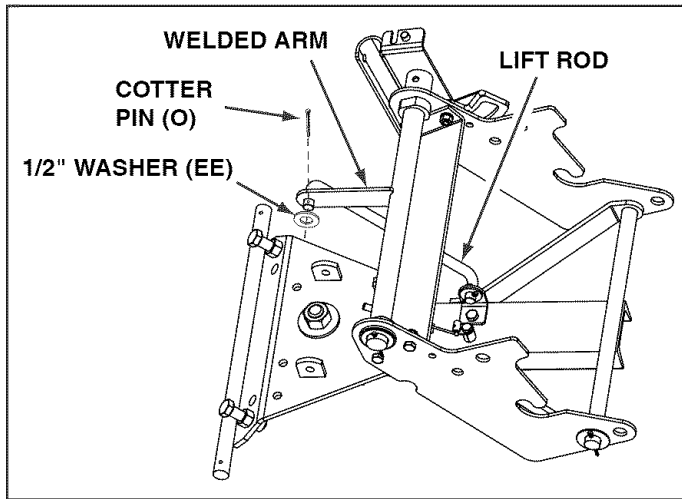


FIGURE 16

STEP 17: (SEE FIGURE 18)

- Attach the skid shoes to the blade using four 5/16" x 1" carriage bolts (L), 5/16" flat washers (FF) and 5/16" nylock nuts (V). Do not tighten yet.

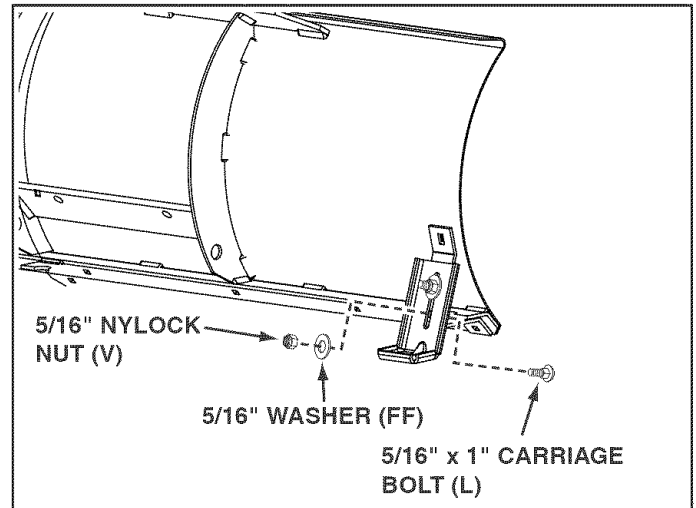


FIGURE 18

STEP 16: (SEE FIGURE 17)

- Assemble the blade pivot bracket to the pivot plate assembly using two 3/8" x 1" bolts (F) and 3/8" nylock nuts (Q).
- Assemble the handle guide to the frame assembly using a 5/16" x 3/4" bolt (G) and 5/16" nylock nut (V).

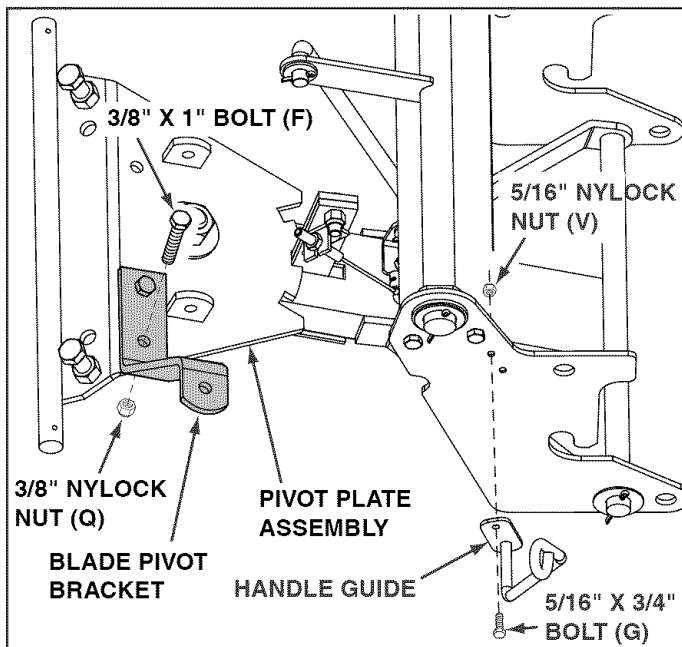


FIGURE 17

STEP 18: (SEE FIGURE 19)

- Align the channel pivot plate assembly behind the blade and guide the ends of the mounting rod, one end at a time, into the holes at the bottom of the blade mount gussets. Secure the mounting rod with two large hairpin cotter pins (KK).

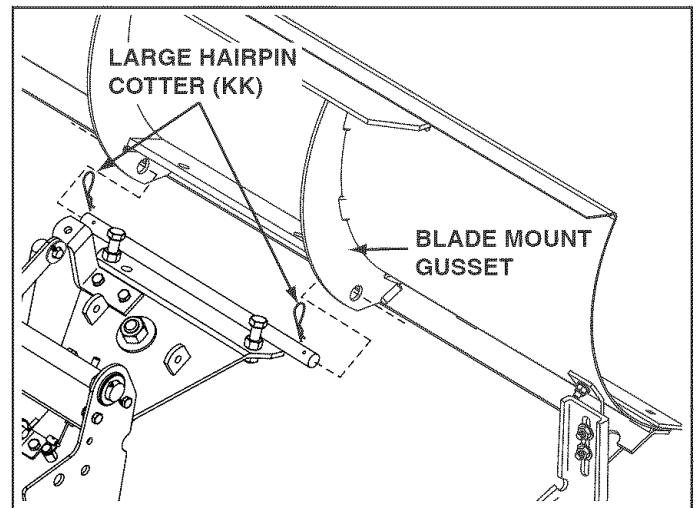


FIGURE 19

STEP 19: (SEE FIGURE 20)

- Insert each 3/8" x 3-1/2" hex bolt (H) into a blade trip spring.
- Assemble a 3/8" hex nut (X) onto the end of each 3/8" x 3-1/2" hex bolt (H) leaving the nut about 2" from the end of the bolt.

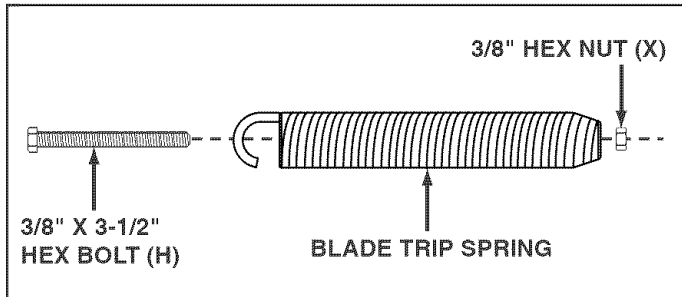


FIGURE 20

STEP 20: (SEE FIGURE 21)

- Hook the spring assemblies into the spring mount ears on the pivot plate. Insert the end of each bolt up through the holes in the top of the blade and assemble a 3/8" hex nut (X) onto each trip spring. Tighten both nuts on each bolt so that approximately 1" of the bolt extends through the top of the blade.
- Assemble the plastic caps (JJ) onto the bolts.
- Adjust the stop bolts in the pivot plate so that the bolts extend equally 1-1/2" above the pivot plate, creating tension on the spring assemblies.

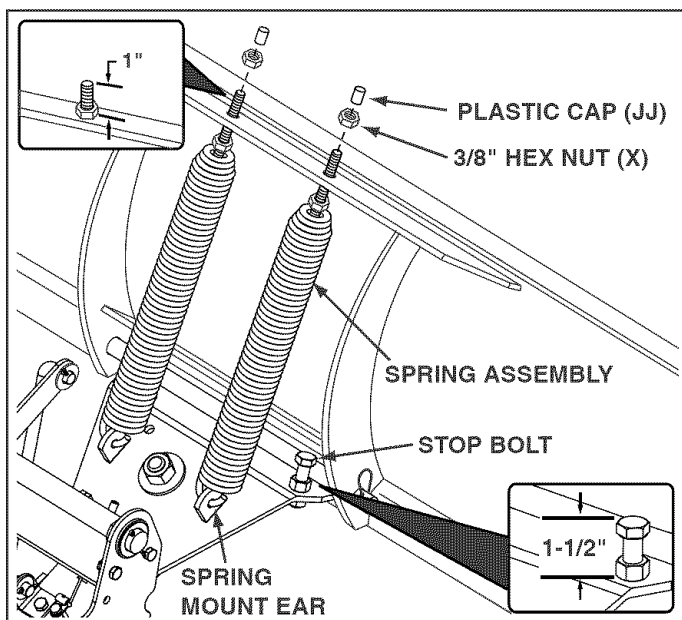


FIGURE 21

STEP 21: (SEE FIGURE 22)

- Slide the handle assembly through the handle guide so that the flattened end rests on the blade pivot bracket.
- Secure the end of the handle to the top side of the blade pivot bracket with the shoulder bolt (I) on top and a 3/8" hex whizlock nut (S) underneath.
- Secure cable to handle tube with a plastic tie (HH) near bottom of handle. Cut off extra plastic on end.

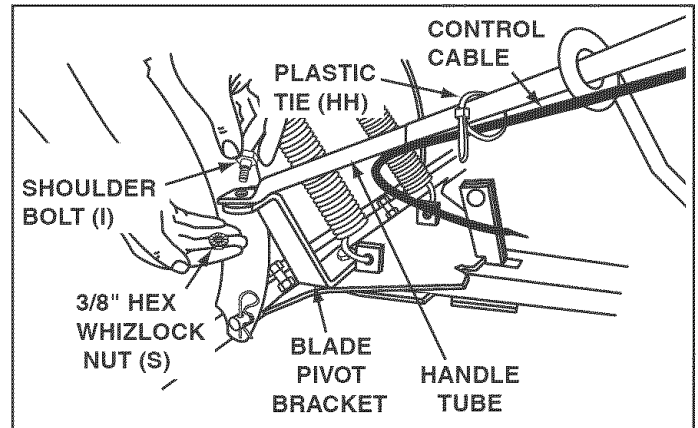


FIGURE 22

STEP 22: (SEE FIGURE 23)

- Remove the rubber cap and the first jam nut from the threaded end of the control cable and slide them onto the control cable wire. Adjust the second jam nut on the threads so that it is approximately 3/4" from end. Assemble threaded end of cable through the cable mount ear and secure it with the first jam nut. Reinstall the rubber cap onto the threaded cable end.

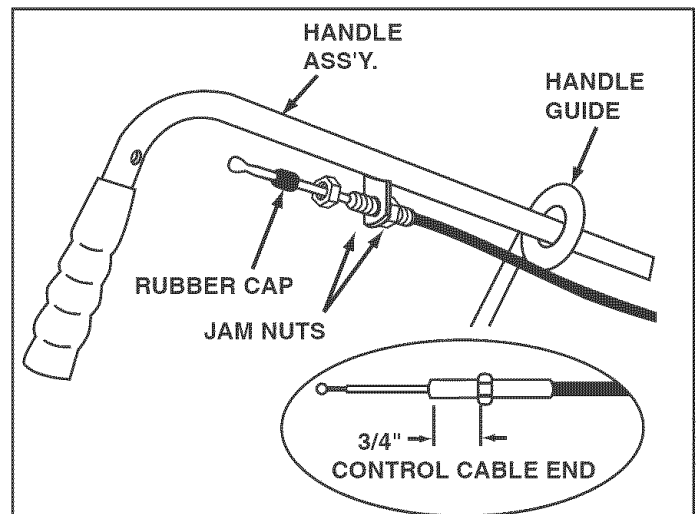


FIGURE 23

STEP 23: (SEE FIGURE 24)

- Assemble grip (OO) to grip assembly.
- Assemble grip assembly to handle assembly using a 5/16" x 1-1/2" hex bolt (M) and 5/16" nylock nut (V).
- Assemble the ball end of the cable wire (shown in figure 23) up through the hole in a cable end fitting (LL) and then slide it back inside the curled edge of the fitting.
- Assemble cable end fitting (LL) over 1/4" weld bolt on grip assembly and secure with one 1/4" nylock nut (R) and then back nut off 1/2 turn.

NOTE: Do not over tighten 1/4" nylock nut, cable end fitting must pivot freely.

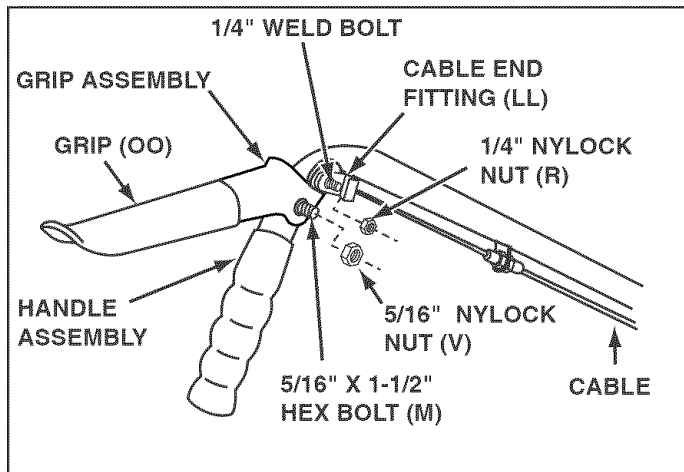


FIGURE 24

STEP 24: (SEE FIGURE 25)

- Assemble the upper lift handle onto the lower lift handle and fasten using a 1/4" x 1-1/2" bolt (N) and 1/4" nylock nut (R).

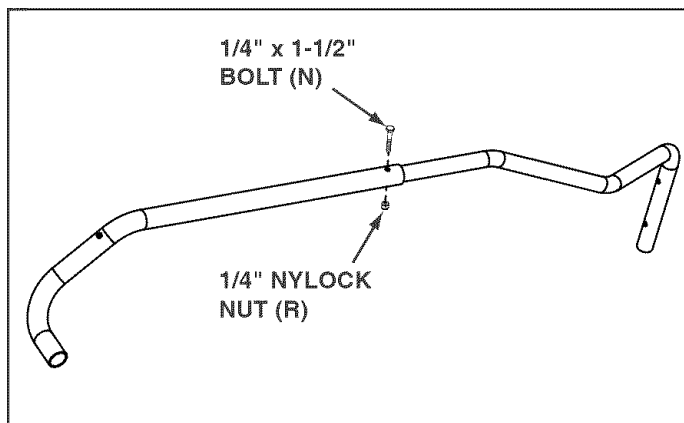


FIGURE 25

STEP 25: (SEE FIGURE 26)

- Attach the lower lift handle to the right side of the frame assembly using two 5/16" x 1-3/4" hex bolts (D) and 5/16" nylock nuts (V).

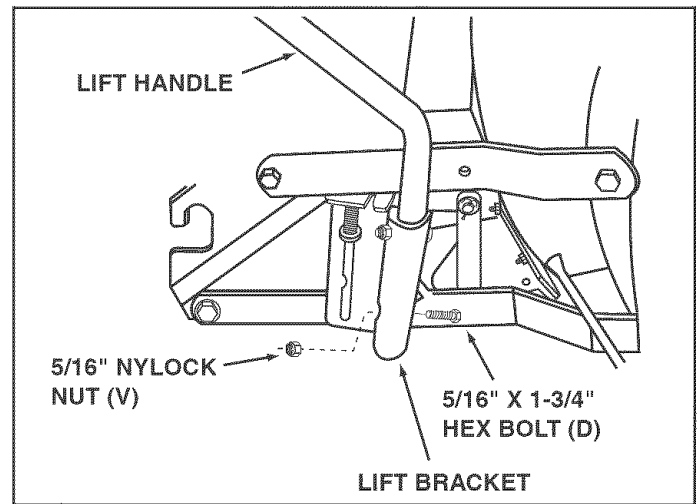


FIGURE 26

STEP 26: (SEE FIGURE 27)

- Install the trigger assembly to the lift handle using an oval screw (AA).
- Connect the hooked end of the cable wire into the index lift rod. Install the threaded end of the cable into the notch in the top of the lift bracket, placing one jam nut on each side of the notch with the lock washer below the notch.
- Adjust the jam nuts so that when the trigger on the lift handle is squeezed, the bottom of the index lift rod raises enough to release from the latched position. The index lift rod should also lower far enough to lock in the latched position when the trigger is released.
- Secure cable to handle with a plastic tie (HH) to prevent cable from interfering with tractor. Cut off extra plastic on end of tie.

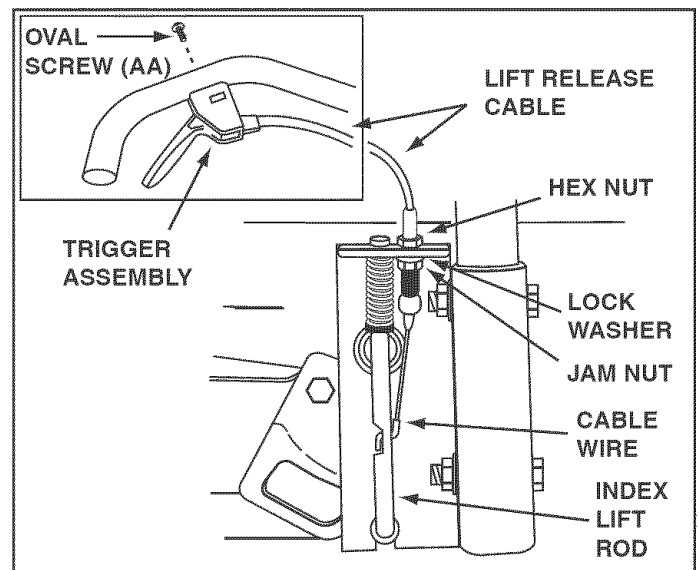


FIGURE 27

MOUNTING BLADE TO TRACTOR

STEP 1: (SEE FIGURE 28)

- Attach the frame assembly to the frame brackets by sliding the notches in the frame assembly onto the shoulder bolts on the frame brackets.

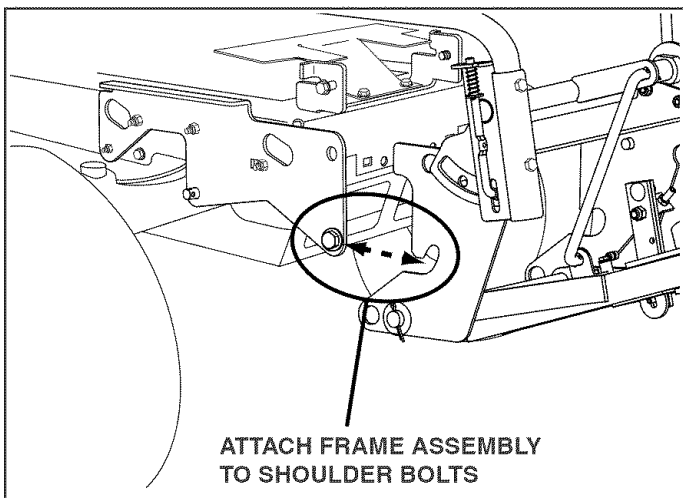


FIGURE 28

STEP 2: (SEE FIGURE 29)

- Stand on the right side of the blade. Squeeze the trigger on the lift handle and lift the handle. Release the trigger, but do not allow handle to lower into locked position.
- Stand on the left side of the blade. Grip the round bar at the top of the frame assembly and lift up to align the holes in the frame assembly with the holes in the frame brackets.
- From the left side, insert the attachment rod through the holes in the frame assembly and the frame brackets and secure with a haircotter pin (KK).

NOTE: Blade hidden in illustration for better view.

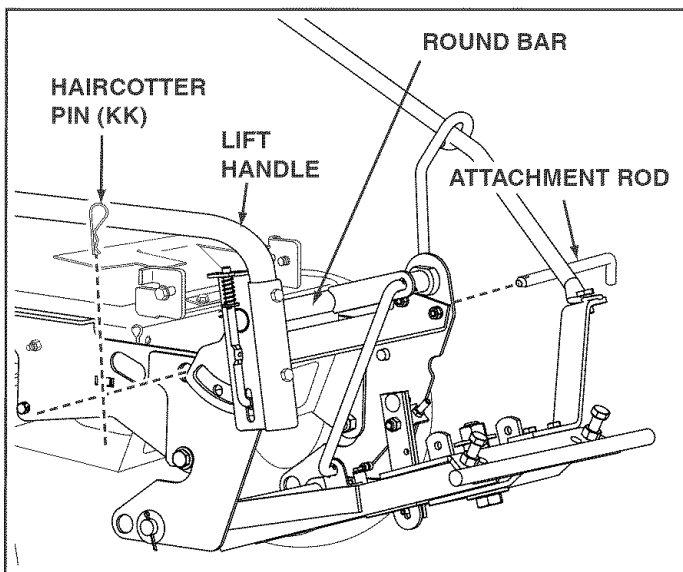


FIGURE 29

STEP 3: (SEE FIGURE 30)

- Attach the small holes of the lift links to the welded pins on the frame bracket and secure with haircotter pins (KK). The lift link should angle to the inside.

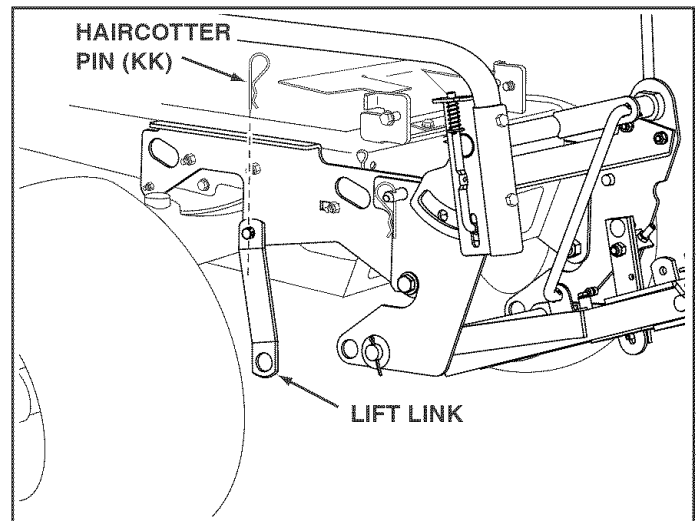


FIGURE 30

STEP 4: (SEE FIGURE 31)

- Attach the lift links to the frame assembly:
 - A. Insert a clevis pin (II) through the frame assembly from the outside.
 - B. Place two 5/8" washers (DD) onto the clevis pin.
 - C. Place the end of the lift link onto the clevis pin.
 - D. Place a 5/8" washer (DD) onto the clevis pin and secure with a haircotter pin (KK).

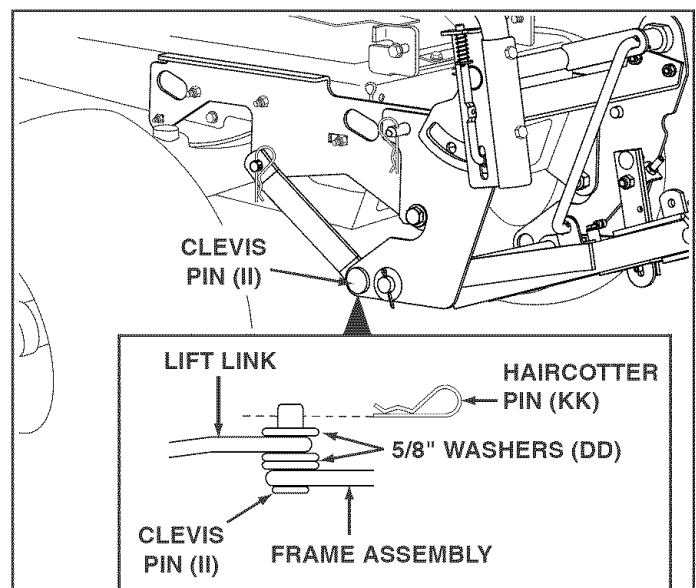


FIGURE 31

OPERATION

CONTROLS

Become familiar with all of the controls and adjustments on the tractor and dozer blade before operating. Refer to tractor owners manual for tractor controls. Controls for operating dozer blade are as follows:

LIFT HANDLE: (Figure 32)

Located on right hand side of tractor. To raise the dozer blade, push the lift handle down until blade locks in the up position. To lower the dozer blade, push down slightly on the lift handle, depress trigger and then lift up on handle to lower the blade.

BLADE ANGLE HANDLE: (Figure 32)

Located on the left hand side of tractor. When dozer blade is in the **up** position, depress grip assembly and push or pull on handle to swivel blade to the right or left. Release grip assembly to lock the blade in the left, center or right position.

NOTE: Always raise dozer blade and lock in up position before moving blade angle handle.

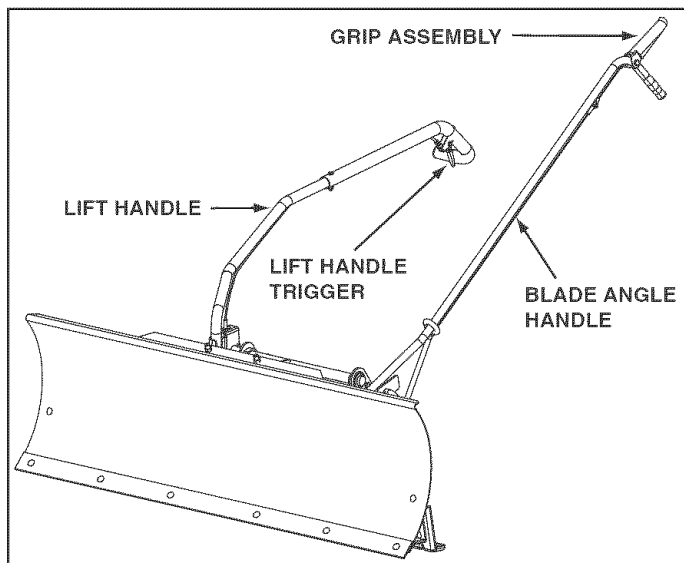


FIGURE 32

USING THE DOZER BLADE

NOTE: Wheel weights and tire chains should be used with your dozer to improve traction. For additional traction, install wheel weight on rear of draw bar using a weight bracket kit and one wheel weight from a wheel weight kit. These accessories are available at your nearest Sears retail or catalog sales.

- Prepare the tractor engine for cold weather by following the instructions furnished with the tractor.
- Inspect the area to be worked carefully before operating the dozer blade. Avoid pipes, roots, curbs or other heavy obstructions.
- Always begin transmission in first (low) gear and gradually increase speed as required.
- Operate tractor at reduced speed when dozer blade trip springs are locked out. Refer to Service and Adjustment section.
- If blade is stored in heated area, allow tractor blade to adjust to outdoor temperature before operating to reduce icing on the metal surfaces.
- For improved snow removal performance, coat the blade with automotive type paste wax.



CAUTION: Know the terrain. Avoid exceptionally sharp slopes or drop-offs which may be hidden by the snow.



WARNING: Hidden objects can cause sudden stops or change in direction



WARNING: Never run the dozer blade into heavy material at high speed.



CAUTION: Always lower blade to ground before leaving tractor

SERVICE AND ADJUSTMENTS

BLADE ANGLE LOCK BARS: (Figure 33)

If angle lock bars DO NOT completely disengage from slots in pivot plate assembly, adjustment of cable is required.

ADJUST BLADE SPRINGS: (Figure 33)

To change spring tension, stand in front of blade assembly and adjust the nuts at the upper end of the springs. Turn counter clockwise to decrease tension and clockwise to increase tension.

Adjust spring adjustment nuts approximately 1" from end when moving snow or other light material. Keep spring tension light for safety. This frees the blade to spring trip and return if a hidden obstacle is encountered.

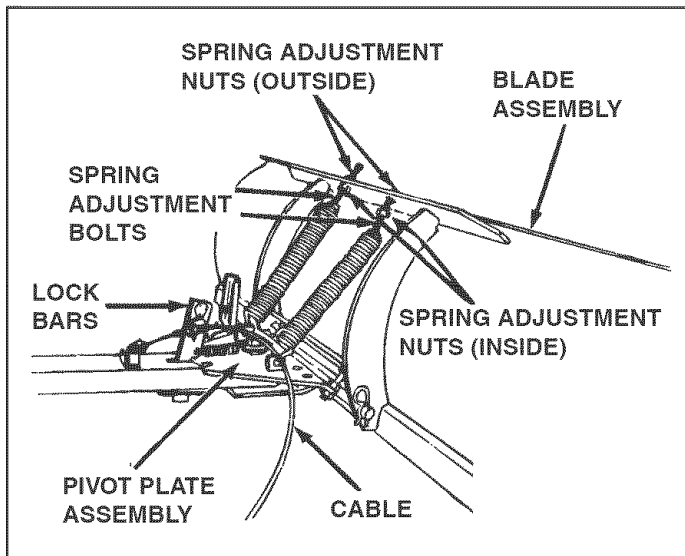


FIGURE 33

DOZER SPRING LOCKOUT: (Figure 34)

To lock dozer blade spring trip action for heavy dozer work, install two 1/2" x 2-3/4" hex bolts (A) (included in hardware package.) Secure with two 1/2" nylock nuts (P).

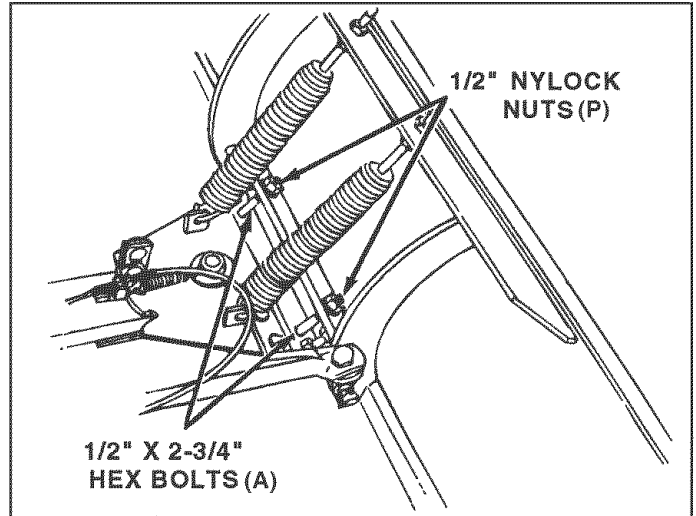


FIGURE 34

BLADE SHOE ADJUSTMENT: (Figure 35)

Blade shoes on end of blade may be raised for clean dozing on smooth surfaces or lowered to raise the blade to work on rough or uneven areas. Make sure both shoes are set evenly and nuts are tightened securely.

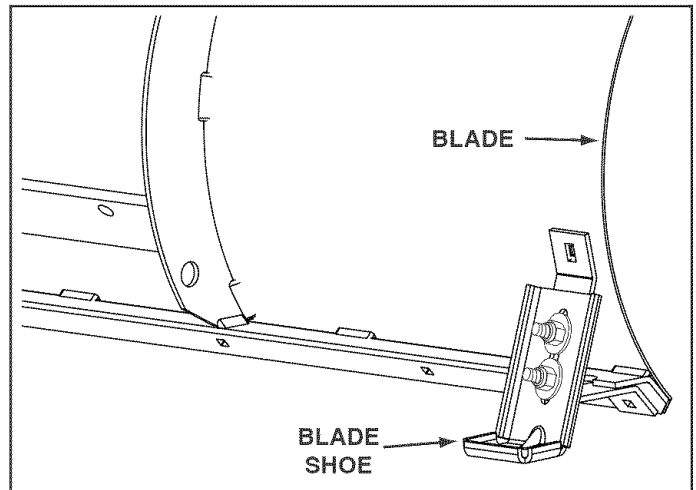


FIGURE 35

MAINTENANCE

CUSTOMER RESPONSIBILITIES

- Read and follow the maintenance schedule and the maintenance procedures listed in this section.

| MAINTENANCE SCHEDULE Fill in dates as you complete regular service. | Service Dates | | | | | | | | | | | |
|--|-----------------|----------------|--------------|----------------|--|--|--|--|--|--|--|--|
| | Before each use | After each use | Every season | Before storage | | | | | | | | |
| Check for loose fasteners | X | | | | | | | | | | | |
| Check scraper and shoes for wear | X | | | | | | | | | | | |
| Clean Blade | | X | | X | | | | | | | | |
| Lubricate Blade | | | X | | | | | | | | | |

CHECK FOR LOOSE FASTENERS

- During the operating season, check all bolts, nuts and hairpin cotters to be sure they are secure.

CHECK SCRAPER AND SHOES FOR WEAR

- During the operating season, check the scraper and shoes for wear before each use. After extensive use and wear, the scraper bar may be reversed to utilize the unused top edge. See figure 36.

CLEAN BLADE

- During the operating season, clean the blade off after each use. Touch up any bare metal with paint or apply a light coat of grease or rust preventive.

LUBRICATE BLADE

- Oil all pivot points each season so they will work freely.

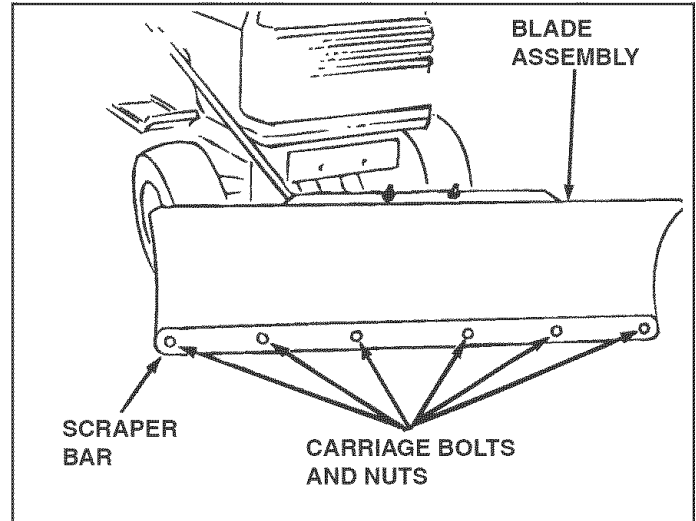


FIGURE 36

TROUBLESHOOTING

| PROBLEM | CAUSE | CORRECTION |
|---------------------------------|---|--|
| Blade is difficult to raise. | Lift mechanism is binding. | Lubricate pivot points. |
| Blade is difficult to pivot. | Handle tube is binding on lift rod. | Lubricate lift handle rod. |
| Blade will not unlock to pivot. | Lock mechanism is out of adjustment and is not disengaging. | Refer to the Operation section on page 14. |

STORAGE

REMOVING DOZER BLADE FROM TRACTOR

1. Lower blade to ground with blade in the center (straight ahead) position.
2. Refer to figure 37 below:
 - A. Remove cotter pins and lift links from side plates.
 - B. Remove attachment rod from blade frame assembly.
 - C. Pull blade frame assembly from side plates.

NOTE: Frame brackets do not require removal unless a different attachment is mounted to front of tractor.

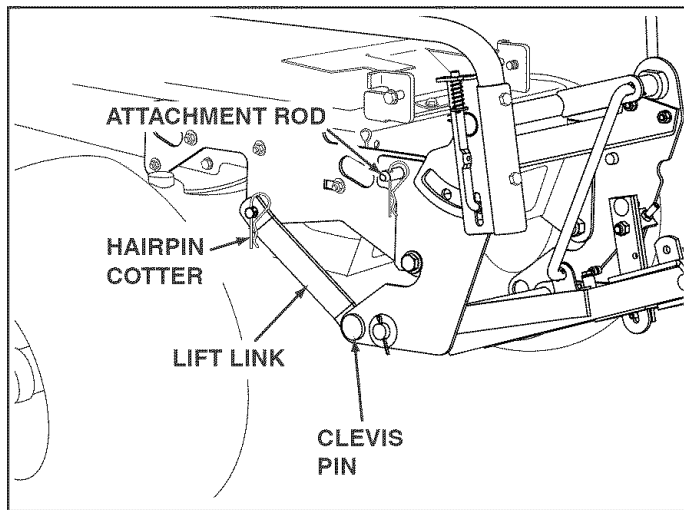


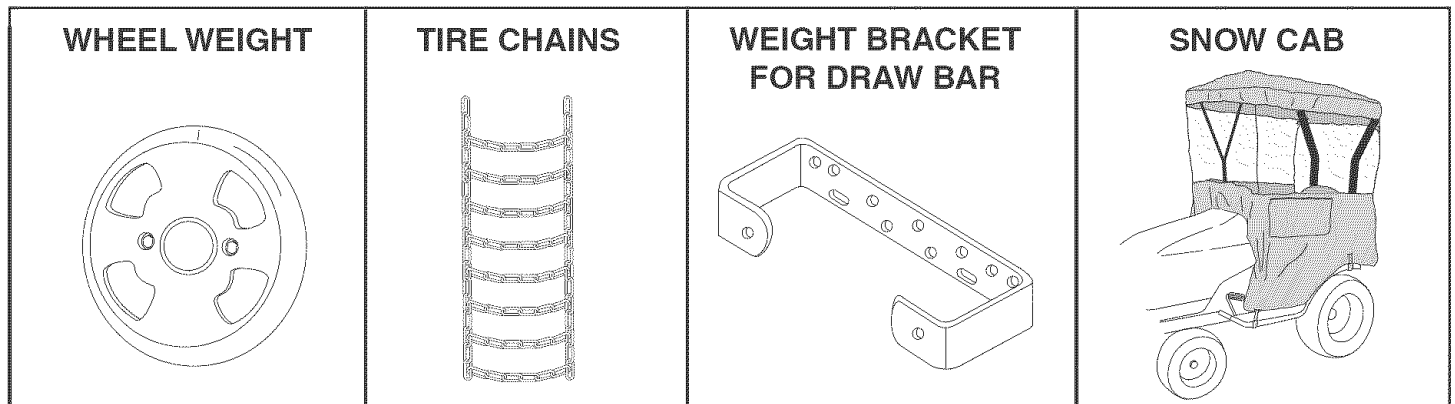
FIGURE 37

RECOMMENDATIONS WHEN STORING

- When the dozer is not being used, remove all dirt and rust and touch up with paint.
- Apply a light coat of grease or rust prevention to the blade and oil pivot points.
- Store in an area where it is protected from weather.
- Store in a dry area, protected from weather.

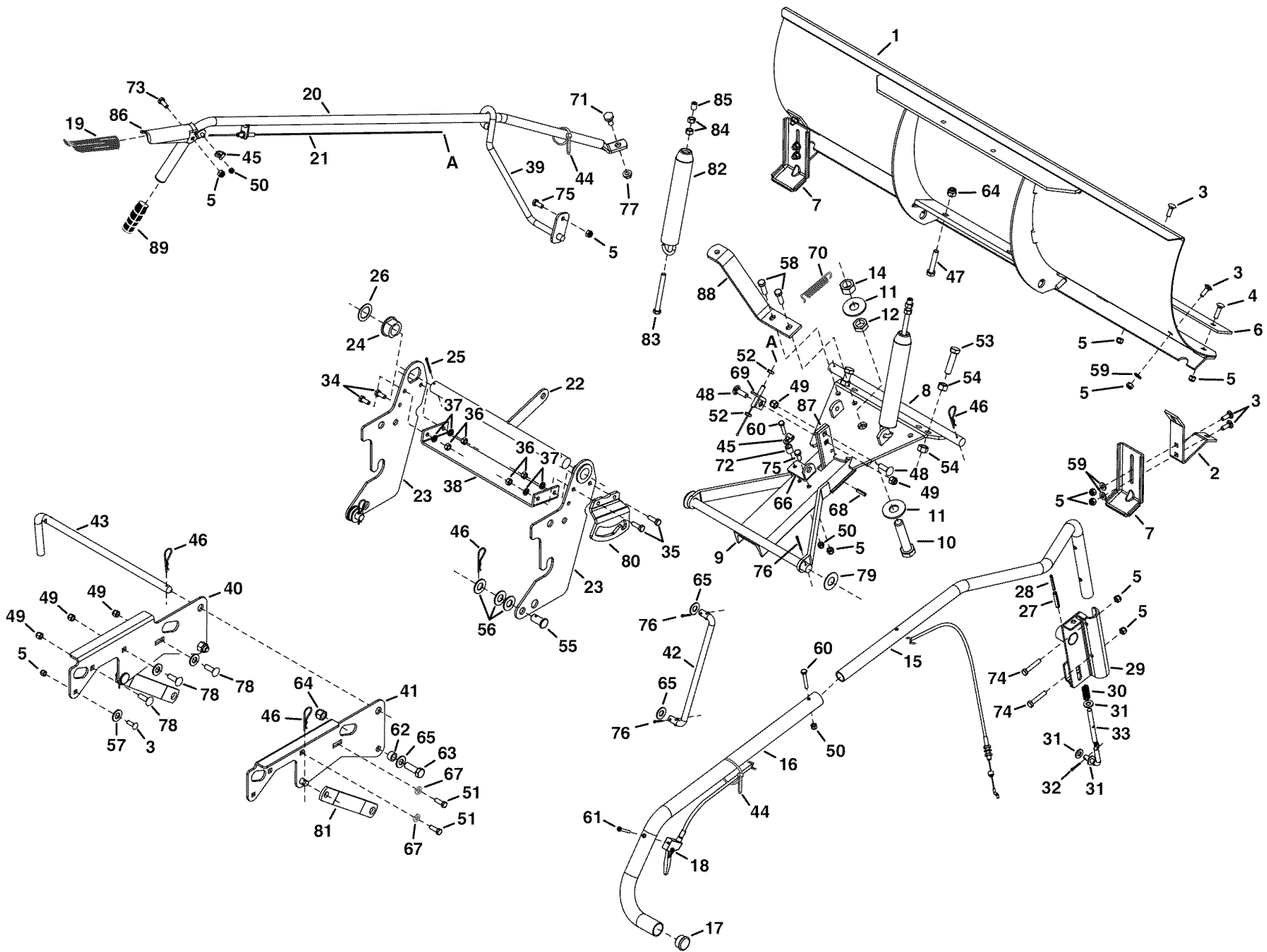
ACCESSORIES AND ATTACHMENTS

These and other accessories are recommended for use with your unit. Call 1-800-4-MY-HOME® to find out if they are available. If available, they may be purchased at most Craftsman outlets or by calling 1-800-4-MY-HOME®.



REPAIR PARTS

REPAIR PARTS FOR MODEL 486.24414 - 48" DOZER BLADE



REPAIR PARTS FOR MODEL 486.24414 - 48" DOZER BLADE

| REF. NO. | PART NO. | QTY. | DESCRIPTION | REF. NO. | PART NO. | QTY. | DESCRIPTION |
|----------|-----------|------|---------------------------------|----------|-----------|------|------------------------------|
| 1 | 65379 | 1 | 48" Blade Ass'y. | 47 | 43510 | 2 | Hex Bolt, 1/2" x 2-3/4" |
| 2 | 25701 | 2 | Skid Shoe Bracket | 48 | 710-0305 | 2 | Carriage Bolt, 3/8" x 1-1/4" |
| 3 | 44326 | 12 | Carriage Bolt, 5/16-18 x 1" | 49 | HA21362 | 10 | Nylock Hex Nut, 3/8" |
| 4 | 43682 | 2 | Carriage Bolt, 5/16-18 x 1-1/4" | 50 | 47189 | 3 | Nylock Hex Nut, 1/4" |
| 5 | 47810 | 19 | Nylock Hex Nut, 5/16" | 51 | 43001 | 4 | Hex Bolt, 3/8" x 1" |
| 6 | 23639 | 1 | Wear Plate 48" | 52 | 712-0256 | 2 | Hex Jam Nut, 5/16" |
| 7 | R3132J | 2 | Skid Shoe | 53 | 41596 | 2 | Hex Bolt, 1/2" x 2" |
| 8 | 62556 | 1 | Pivot Plate Ass'y. | 54 | 712-0206 | 4 | Hex Nut, 1/2" |
| 9 | 65358 | 1 | Channel Ass'y. | 55 | 711-0309 | 2 | Clevis Pin, 5/8" x 1.2" |
| 10 | 710-0741 | 1 | Hex Bolt 3/4-10 x 3-1/2" | 56 | R19212113 | 6 | Washer, 5/8" SAE |
| 11 | 1540-162 | 2 | Washer 3/4" | 57 | R19172410 | 6 | Washer, 1/2" x 1-1/2" |
| 12 | 40436 | 1 | Hex Jam Nut, 3/4-10 | 58 | 43087 | 2 | Hex Bolt, 3/8" x 1-1/4" |
| 14 | 40598 | 1 | Hex Lock Nut, 3/4-10 | 59 | 43081 | 6 | Washer, 5/16" |
| 15 | 49264 | 1 | Lift Handle Tube (Lower) | 60 | 43648 | 2 | Hex Bolt, 1/4" x 1-1/2" |
| 16 | 49265 | 1 | Lift Handle Tube (Upper) | 61 | 49266 | 1 | Oval Screw, #10 x 1" |
| 17 | 47674 | 1 | Tube Plug | 62 | 47364 | 2 | Spacer, .52" x .75" x .4" |
| 18 | 49912 | 1 | Trigger & Lift Cable Ass'y. | 63 | 43020 | 2 | Hex Bolt, 1/2" x 1-1/2" |
| 19 | 7071 | 1 | Handle Grip | 64 | 712-3083 | 4 | Nylock Nut, 1/2" |
| 20 | 65348 | 1 | Handle Ass'y. | 65 | R19171616 | 4 | Washer, 1/2" x 1" (Small) |
| 21 | 49808 | 1 | Control Cable | 66 | 25688 | 1 | Lift Rod Bracket |
| 22 | 65359 | 1 | Lift Ass'y. | 67 | 43003 | 4 | Lock Washer, 3/8" |
| 23 | 24312 | 2 | Mounting Bracket | 68 | 43349 | 1 | Spring Pin, 1/4" x 1" |
| 24 | 741-0192 | 2 | Flange Bearing (w/ Flats) | 69 | 05762 | 1 | Cable Mount Bracket |
| 25 | 43093 | 1 | Cotter Pin, 1/8 x 1-1/2" | 70 | 43348 | 1 | Extension Spring |
| 26 | 43601 | 1 | Washer, 1.59" x 1.032" x 0.60" | 71 | 48106 | 1 | Shoulder Bolt |
| 27 | 47368 | 1 | Spring Pin, 5/16" x 1-3/4" | 72 | 23658 | 1 | Spacer, .39" x .56" x .62" |
| 28 | 47369 | 1 | Spring Pin, 3/16" x 1-3/4" | 73 | 43085 | 1 | Hex Bolt, 5/16" x 1-1/2" |
| 29 | 63773 | 1 | Bracket Handle Lift Ass'y. | 74 | 43084 | 2 | Hex Bolt, 5/16" x 1-3/4" |
| 30 | 732-0306 | 1 | Compression Spring | 75 | 43182 | 2 | Hex Bolt, 5/16" x 3/4" |
| 31 | R19131316 | 3 | Washer, 3/8" x 13/16" x 1/16" | 76 | 43010 | 4 | Cotter Pin, 1/8" x 1-1/4" |
| 32 | 142 | 1 | Cotter Pin, 1/8" x 3/4" | 77 | 44072 | 1 | Whizlock Hex Nut, 3/8" |
| 33 | 48049 | 1 | Index Lift Rod | 78 | 43350 | 6 | Carriage Bolt, 3/8" x 1" |
| 34 | 43063 | 2 | Hex Bolt, 5/16" x 1" | 79 | 43009 | 2 | Washer, 3/4" |
| 35 | 43840 | 2 | Hex Bolt, 5/16" x 1-1/4" | 80 | 24298 | 1 | Lift Bracket |
| 36 | 43064 | 4 | Hex Lock Nut, 5/16" | 81 | 25725 | 2 | Lift Link |
| 37 | 43086 | 4 | Lock Washer, 5/16" | 82 | R9466R | 2 | Trip Spring |
| 38 | 25666 | 1 | Spacer Bracket | 83 | 44071 | 2 | Hex Bolt, 3/8" x 3-1/2" |
| 39 | 65436 | 1 | Tube Guide Bracket Ass'y. | 84 | 43015 | 4 | Hex Nut, 3/8" |
| 40 | 65403 | 1 | Side Plate (Left Hand) | 85 | 44074 | 2 | Plastic Cap |
| 41 | 65402 | 1 | Side Plate (Right Hand) | 86 | 62561 | 1 | Release Grip Ass'y. |
| 42 | 49819 | 1 | Lift Rod | 87 | 23151 | 2 | Angle Lock Bar (Short) |
| 43 | 47066 | 1 | Attachment Rod | 88 | 23646 | 1 | Blade Pivot Bracket |
| 44 | 726-0178 | 2 | Nylon Tie | 89 | 731-0869 | 1 | Plastic Grip |
| 45 | 746-0260 | 2 | Cable End Fitting | | 49810 | 1 | Owners Manual |
| 46 | 43343 | 7 | Haircotter Pin, 3/32" x 2-5/16" | | | | |

Get it fixed, at your home or ours!

Your Home

For repair – **in your home** – of **all** major brand appliances, lawn and garden equipment, or heating and cooling systems, **no matter who made it, no matter who sold it!**

For the replacement parts, accessories and owner's manuals that you need to do-it-yourself.

For Sears professional installation of home appliances and items like garage door openers and water heaters.

1-800-4-MY-HOME® (1-800-469-4663)

Call anytime, day or night (U.S.A. and Canada)

www.sears.com www.sears.ca

Our Home

For repair of carry-in items like vacuums, lawn equipment, and electronics, call or go on-line for the location of your nearest

Sears Parts & Repair Center.

1-800-488-1222

Call anytime, day or night (U.S.A. only)

www.sears.com

To purchase a protection agreement (U.S.A.) or maintenance agreement (Canada) on a product serviced by Sears:

1-800-827-6655 (U.S.A.)

1-800-361-6665 (Canada)

Para pedir servicio de reparación a domicilio, y para ordenar piezas:

1-888-SU-HOGAR®

(1-888-784-6427)

Au Canada pour service en français:

1-800-LE-FOYER^{MC}

(1-800-533-6937)

www.sears.ca

The Sears logo is centered at the bottom of the page. It features the word "Sears" in a large, bold, serif font. Below the letters "ears" is a horizontal line that curves upwards at both ends, resembling a stylized smile or a swoosh.